



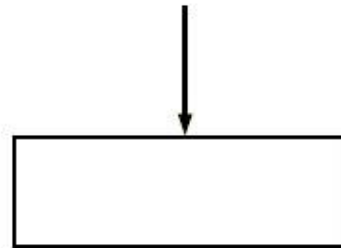
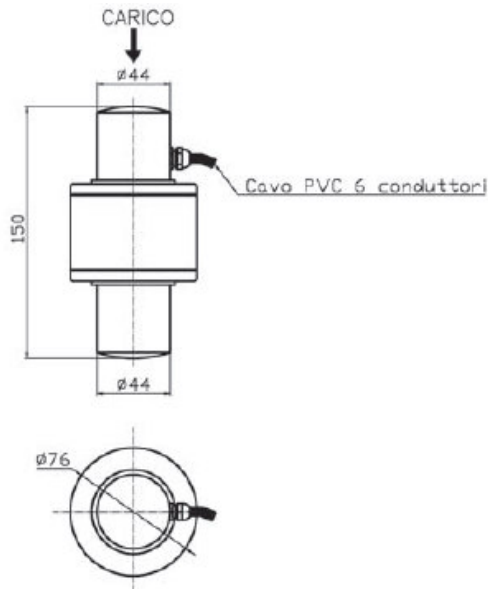
## COMPRESSION LOAD CELL SERIE M/A TOW2



**Omologate C4 OIML  
R60/2000-GB1-09.04**

### MODEL / CAPACITY

- ▶ M/A TOW2\_18/kg 18.000
- ▶ M/A TOW2\_20/kg 20.000
- ▶ M/A TOW2\_25/kg 25.000
- ▶ M/A TOW2\_30/kg 30.000
- ▶ M/A TOW2\_35/kg 35.000



**TECHNICAL DATA**

MATERIAL	STEEL
CAPACITIES	18 – 35 T
SAFE OVER LOAD	150 % F.S.
BREAKING OVERLOAD	300 % F.S.
SUPPLY VOLTAGE	15 Vcc MAX
OUTPUT	2 mV/V
OUTPUT TOLLERANCE	0,1 % F.S.
ZERO TOLLERANCE	1 % F.S.
LINEARITY	003 % F.S.
HYSTERESIS	0,03 % F.S.
REAPEATABILITY	0,03 % F.S.
INPUT RESISTANCE	800 – 805 Ohm
OUTPUT RESISTANCE	700 – 705 Ohm
INSULATION RESISTANCE	$\geq$ 2000 MOhm
CREEP	0,03 % F.S.
TEMPERATURE RANGE	-10 / +40 °C
MAX TEMPERATURE RANGE	-20 / +70 °C
TEMPERATURE EFFECT ZERO	0,003 % F.S. /°C
TEMPERATURE EFFECT OUTPUT	0,002 % F.S. /°C
PROTECTION CLASS	IP 68

**ELECTRIC CONNECTIONS**

PVC WIRE 6x015	5 METRES
RED	SUPPLY IN +
BLUE	SUPPLY IN -
BLACK	REFERENCE -
WHITE	REFERENCE +
GREEN	SIGNAL OUT -
YELLOW	SIGNAL OUT +