

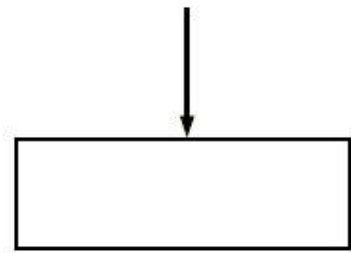
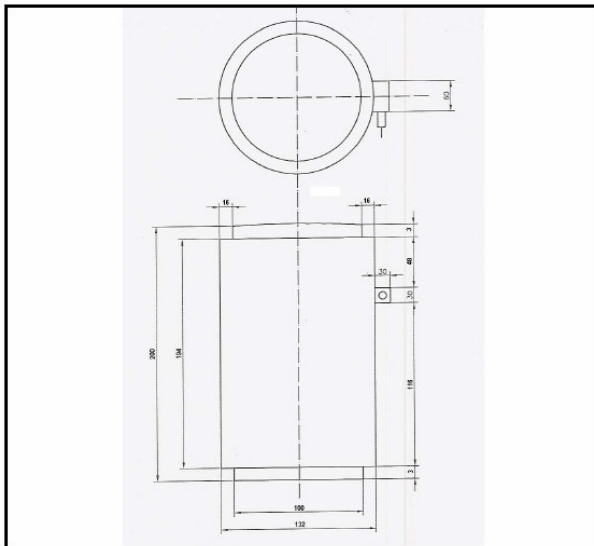


COMPRESSION LOAD CELLS SERIES M/A TOW



MOD. / NOMINAL LOAD

- ▶ M/A TOW 50 / kg 50.000
- ▶ M/A TOW 100 / kg 100.000
- ▶ M/A TOW 200 / kg 200.000
- ▶ M/A TOW 300 / kg 300.000





TECHNICAL DATA

MATERIAL	STAINLESS STEEL
CAPACITIES	50 – 300 T
SAFE OVERLOAD	150 % F.S.
BREAKING OVERLOAD	300 % F.S.
SUPPLY VOLTAGE	15 Vcc MAX
OUTPUT	-2 mV/V
OUTPUT TOLLERANCE	0,1 % F.S.
ZERO TOLLERANCE	1 % F.S.
LINEARITY	0,1 % F.S.
HYSTERESIS	0,1 % F.S.
REPEATABILITY	0,1 % F.S.
INPUT RESISTANCE	700 – 710 Ohm
OUTPUT RESISTANCE	700 – 702 Ohm
INSULATION RESISTANCE	MIN 2000 MOhm
CREEEP	0,1 % F.S.
TEMPERATURE RANGE	-10 / +40 °C
MAX. TEMPERATURE RANGE	-20 / +70 °C
TEMPERATURE EFFECT ZERO	0,003 % F.S. /°C
TEMPERATURE EFFECT OUTPUT	0,002 % F.S. /°C
PROTECTION CLASS	IP 68

ELECTRIC CONNECTIONS

CABLE PVC 4x015	5 m
RED	IN +
BLACK	IN -
GREEN	OUT +
WHITE	OUT -