

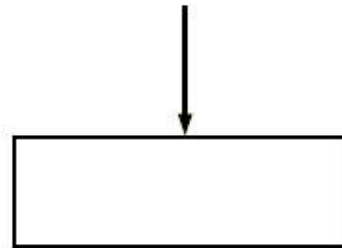
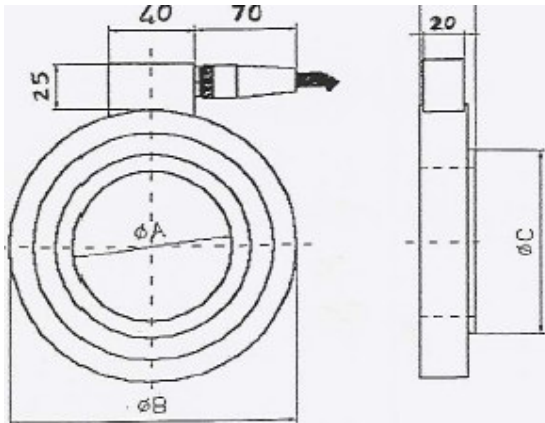


COMPRESSION LOAD CELLS SERIES M/A TER



MOD. / NOMINAL LOAD

- ▶ M/A TER 30 / kg 30.000
- ▶ M/A TER 50 / kg 50.000
- ▶ M/A TER 75 / kg 75.000
- ▶ M/A TER 100 / kg 100.000
- ▶ M/A TER 150 / kg 150.000
- ▶ M/A TER 180 / kg 180.000



PORTATA	ϕA	ϕB	ϕC	H
30ton.	110	200	135	40
50ton.	110	200	135	40
75ton.	110	200	135	40
100ton.	110	200	135	40
100ton.	120	220	155	40
100ton.	130	200	152	40
100ton.	165	260	190	40
150ton.	165	260	190	40
180ton.	165	260	190	40

**TECHNICAL DATA**

MATERIAL	STAINLESS STEEL
CAPACITIES	30 – 180 T
SAFE OVERLOAD	150 % F.S.
BREAKING OVERLOAD	300 % F.S.
SUPPLY VOLTAGE	15 Vcc MAX
OUTPUT	1,75 - 2 mV/V
OUTPUT TOLLERANCE	0,1 % F.S.
ZERO TOLLERANCE	1 % F.S.
LINEARITY	0,1 % F.S.
HYSTERESIS	0,1 % F.S.
REPEATABILITY	0,1 % F.S.
INPUT RESISTANCE	1400 – 1500 Ohm
OUTPUT RESISTANCE	1400 – 1410 Ohm
INSULATION RESISTANCE	MIN 2000 MOhm
CREEEP	0,1 % F.S.
TEMPERATURE RANGE	-10 / +40 °C
MAX. TEMPERATURE RANGE	-20 / +70 °C
TEMPERATURE EFFECT ZERO	0,003 % F.S. /°C
TEMPERATURE EFFECT OUTPUT	0,002 % F.S. /°C
PROTECTION CLASS	IP 68

ELECTRIC CONNECTIONS

CABLE PVC 4x015	3 MT.
RED	IN +
BLACK	IN -
GREEN	OUT +
WHITE	OUT -