

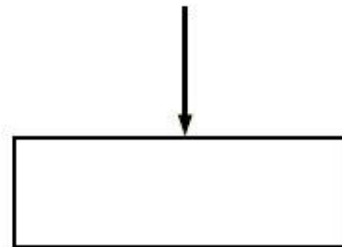
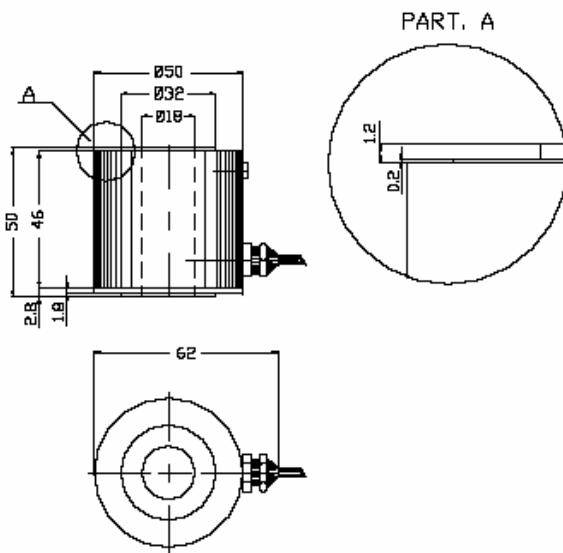


## COMPRESSION LOAD CELLS SERIES M/A SM



### MOD. / NOMINAL LOAD

- ▶ M/A SM 5 / kg 5.000
- ▶ M/A SM 10 / kg 10.000
- ▶ M/A SM 20 / kg 20.000



**TECHNICAL DATA**

MATERIAL	STEEL
CAPACITIES	5 – 20 T
SAFE OVERLOAD	150 % F.S.
BREAKING OVERLOAD	300 % F.S.
SUPPLY VOLTAGE	15 Vcc MAX
OUTPUT	2 Mv/V
OUTPUT TOLLERANCE	0,1 % F.S.
ZERO TOLLERANCE	1 % F.S.
LINEARITY	0,2 % F.S.
HYSTERESIS	0,2 % F.S.
REPEATABILITY	0,2 % F.S.
INPUT RESISTANCE	350 – 360 Ohm
OUTPUT RESISTANCE	350 – 351 Ohm
INSULATION RESISTANCE	MIN 2000 MOhm
CREEEP	0,2 % F.S.
TEMPERATURE RANGE	-10 / +40 °C
MAX. TEMPERATURE RANGE	-20 / +70 °C
TEMPERATURE EFFECT ZERO	0,003 % F.S. /°C
TEMPERATURE EFFECT OUTPUT	0,002 % F.S. /°C
PROTECTION CLASS	IP 67

**ELECTRIC CONNECTIONS**

CABLE PVC 4x015	5 MT.
RED	IN +
BLACK	IN -
GREEN	OUT +
WHITE	OUT -