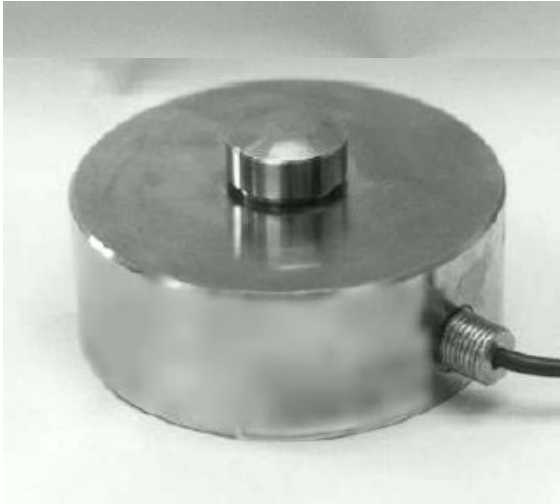


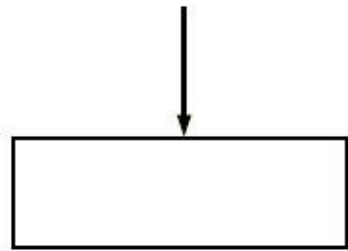
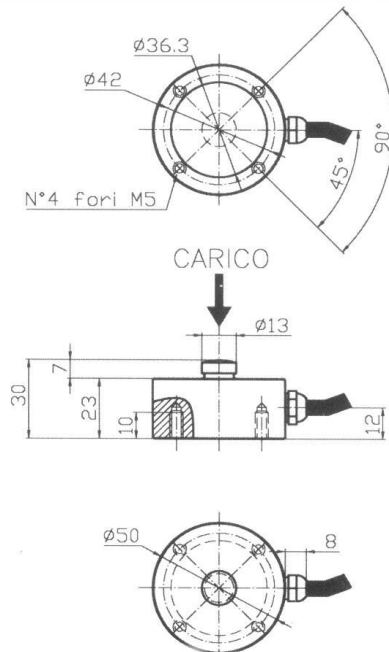


COMPRESSION LOAD CELLS SERIES M/A PR5



MOD. / NOMINAL LOAD

- ▶ M/A PR5 0.5 / kg 500
- ▶ M/A PR5 1 / kg 1.000
- ▶ M/A PR5 2.5 / kg 2.500
- ▶ M/A PR5 5 / kg 5.000





TECHNICAL DATA

MATERIAL	STAINLESS STEEL
CAPACITIES	0,5 – 5 T
SAFE OVERLOAD	150 % F.S.
BREAKING OVERLOAD	300 % F.S.
SUPPLY VOLTAGE	15 Vcc MAX
OUTPUT	2 mV/V
OUTPUT TOLLERANCE	0,1 % F.S.
ZERO TOLLERANCE	1 % F.S.
LINEARITY	0,1 % F.S.
HYSTERESIS	0,1 % F.S.
REPEATABILITY	0,1 % F.S.
INPUT RESISTANCE	700 – 710 Ohm
OUTPUT RESISTANCE	700 – 702 Ohm
INSULATION RESISTANCE	MIN 2000 MOhm
CREEEP	0,1 % F.S.
TEMPERATURE RANGE	-10 / +40 °C
MAX. TEMPERATURE RANGE	-20 / +70 °C
TEMPERATURE EFFECT ZERO	0,003 % F.S. /°C
TEMPERATURE EFFECT OUTPUT	0,002 % F.S. /°C
PROTECTION CLASS	IP 67

ELECTRIC CONNECTIONS

CABLE PVC 4x015	5 m
RED	IN +
BLACK	IN -
GREEN	OUT +
WHITE	OUT -