

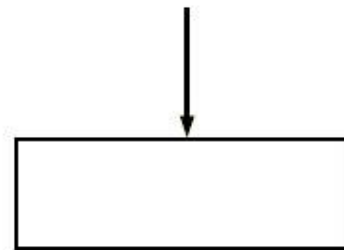
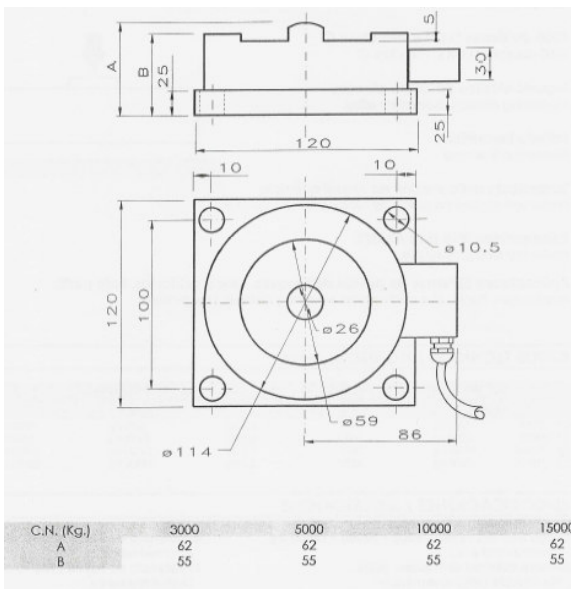


COMPRESSION LOAD CELLS SERIES M/A PR4



MOD. / NOMINAL LOAD

- ▶ M/A PR4 3 / kg 3.000
- ▶ M/A PR4 5 / kg 5.000
- ▶ M/A PR4 10 / kg 10.000
- ▶ M/A PR4 15 / kg 15.000





TECHNICAL DATA

MATERIAL	STEEL
CAPACITIES	3 – 15 T
SAFE OVERLOAD	150 % F.S.
BREAKING OVERLOAD	300 % F.S.
SUPPLY VOLTAGE	15 Vcc MAX
OUTPUT	2 mV/V
OUTPUT TOLLERANCE	0,1 % F.S.
ZERO TOLLERANCE	1 % F.S.
LINEARITY	0,05 % F.S.
HYSTERESIS	0,05 % F.S.
REPEATABILITY	0,05 % F.S.
INPUT RESISTANCE	760 – 770 Ohm
OUTPUT RESISTANCE	700 – 702 Ohm
INSULATION RESISTANCE	MIN 2000 MOhm
CREEEP	0,1 % F.S.
TEMPERATURE RANGE	-10 / +40 °C
MAX. TEMPERATURE RANGE	-20 / +70 °C
TEMPERATURE EFFECT ZERO	0,003 % F.S. /°C
TEMPERATURE EFFECT OUTPUT	0,002 % F.S. /°C
PROTECTION CLASS	IP 67

ELECTRIC CONNECTIONS

CABLE PVC 4x015	5 MT.
RED	IN +
BLACK	IN -
GREEN	OUT +
WHITE	OUT -