



COMPRESSION LOAD CELLS SERIES M/A PR3



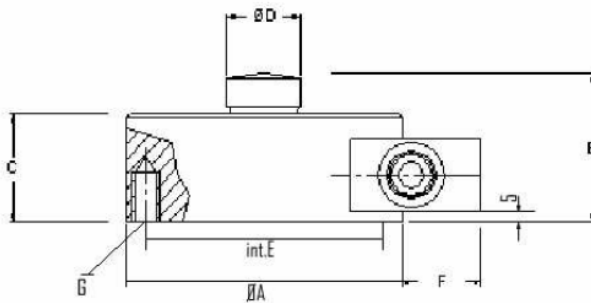
MOD. / NOMINAL LOAD

- ▶ M/A PR3 0.25 / kg 250
- ▶ M/A PR3 0.5 / kg 500
- ▶ M/A PR3 1 / kg 1.000
- ▶ M/A PR3 2.5 / kg 2.500
- ▶ M/A PR3 5 / kg 5.000
- ▶ M/A PR3 7.5 / kg 7.500
- ▶ M/A PR3 10 / kg 10.000

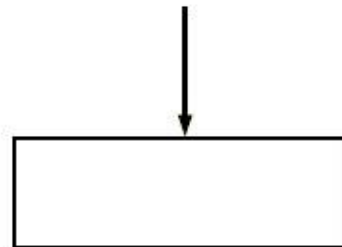
- ▶ M/A PR3 15 / kg 15.000
- ▶ M/A PR3 20 / kg 20.000

- ▶ M/A PR3 25 / kg 25.000
- ▶ M/A PR3 35 / kg 35.000

- ▶ M/A PR3 50 / kg 50.000
- ▶ M/A PR3 100 / kg 100.000



	250K-10T	15-20T	25-35T	50-100T
ØA	82	100	126	165
B	44	48	54	80
C	32	35	40	60
ØD	22	28	35	60
int.E	70	80	105	130
F	22	22	22	22
G	M8x15	M10x15	M12x20	M16x20





TECHNICAL DATA

MATERIAL	STEEL
CAPACITIES	0,25 – 100 T
SAFE OVERLOAD	150 % F.S.
BREAKING OVERLOAD	300 % F.S.
SUPPLY VOLTAGE	15 Vcc MAX
OUTPUT	2 mV/V
OUTPUT TOLLERANCE	0,1 % F.S.
ZERO TOLLERANCE	1 % F.S.
LINEARITY	0,1 % F.S.
HYSTERESIS	0,1 % F.S.
REPEATABILITY	0,1 % F.S.
INPUT RESISTANCE	700 – 710 Ohm
OUTPUT RESISTANCE	700 – 702 Ohm
INSULATION RESISTANCE	MIN 2000 MOhm
CREEEP	0,1 % F.S.
TEMPERATURE RANGE	-10 / +40 °C
MAX. TEMPERATURE RANGE	-20 / +70 °C
TEMPERATURE EFFECT ZERO	0,003 % F.S. /°C
TEMPERATURE EFFECT OUTPUT	0,002 % F.S. /°C
PROTECTION CLASS	IP 67

ELECTRIC CONNECTIONS

CABLE PVC 4x015	5 m
RED	IN +
BLACK	IN -
GREEN	OUT +
WHITE	OUT -